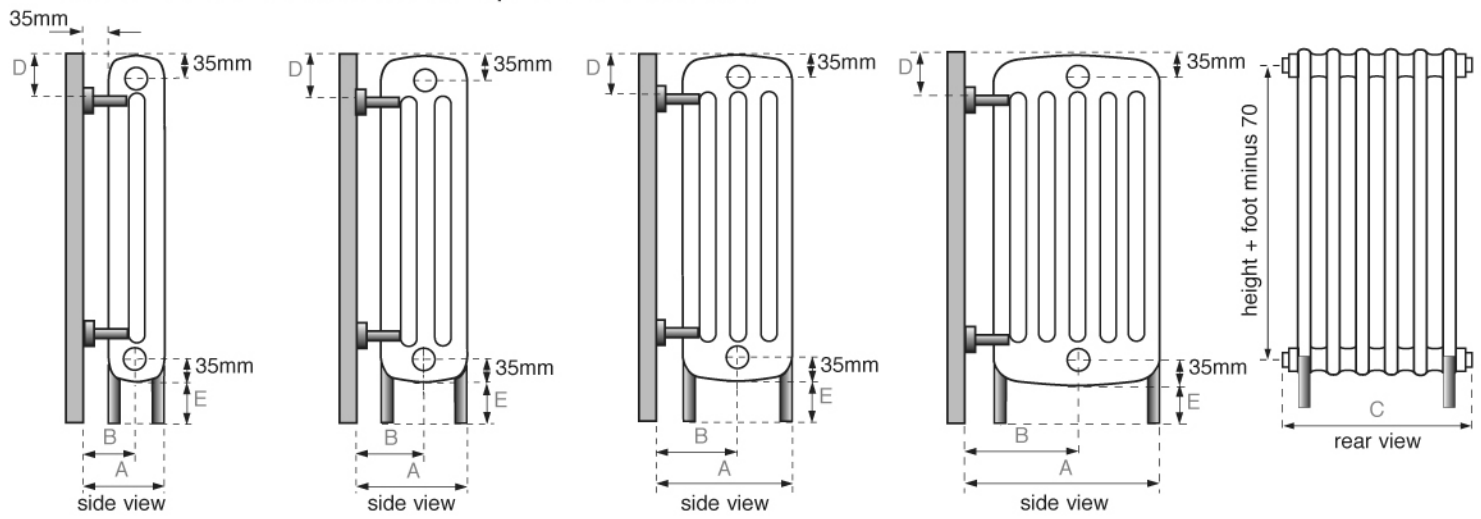


with feet technical specification



ROMA HORIZONTAL WITH FEET DIMENSIONS (mm)

MODEL			2 COLUMN	3 COLUMN	4 COLUMN	6 COLUMN
Width of radiator			(No. of sections x 46) + 30			
Section depth			66	107	148	230
Section width (tube + space)			46	46	46	46
Wall to front of rad		(A)	96	137	178	260
Wall to pipe centres	Side entry	(B)	63	84	104	145
	Bottom entry		N/A	N/A	N/A	N/A
Tapping centres	Side entry	(C)	Width of rad			
	Bottom entry		N/A	N/A	N/A	N/A
Pipe centres	Side entry		Width + valves			
	Bottom entry		N/A	N/A	N/A	N/A
Bracket positions	Top	(D)	70	70	70	70
	Bottom		Adjustable			
Welded feet		(E)	100	100	100	100

2 COLUMN HORIZONTAL WITH FEET WEIGHTS AND VOLUMES (per section)

Model height mm	600
Dry weight (A) Kg	0.91
Water content (B) Litres	0.65
Working weight (A+B) Kg	1.56
Outputs: Watts $\Delta T=50k$	44

3 COLUMN HORIZONTAL WITH FEET WEIGHTS AND VOLUMES (per section)

Model height mm	600
Dry weight (A) Kg	1.51
Water content (B) Litres	0.95
Working weight (A+B) Kg	2.46
Outputs: Watts $\Delta T=50k$	61

4 COLUMN HORIZONTAL WITH FEET WEIGHTS AND VOLUMES (per section)

Model height mm	300	600	900
Dry weight (A) Kg	0.94	1.81	2.69
Water content (B) Litres	0.78	1.25	1.73
Working weight (A+B) Kg	1.72	3.06	4.42
Outputs: Watts $\Delta T=50k$	43	82	120

6 COLUMN HORIZONTAL WITH FEET WEIGHTS AND VOLUMES (per section)

Model height mm	300	600	900
Dry weight (A) Kg	1.60	2.91	4.21
Water content (B) Litres	1.16	1.87	2.59
Working weight (A+B) Kg	2.76	4.78	6.80
Outputs: Watts $\Delta T=50k$	62	119	175

TEMPERATURE

FACTORS FOR DIFFERENCES BETWEEN MEAN WATER TEMPERATURE AND ROOM TEMPERATURE IN °C AND °F OTHER THAN 50 °C (90 °F)

5 °C	0.050	10 °F	0.057
10 °C	0.123	20 °F	0.142
15 °C	0.209	30 °F	0.240
20 °C	0.304	40 °F	0.348
25 °C	0.406	50 °F	0.466
30 °C	0.515	60 °F	0.590
35 °C	0.629	70 °F	0.721
40 °C	0.748	80 °F	0.858
45 °C	0.872	90 °F	1.000
50 °C	1.000	100 °F	1.147
55 °C	1.132	110 °F	1.298
60 °C	1.267	120 °F	1.454
65 °C	1.406	130 °F	1.613
70 °C	1.549	140 °F	1.776
75 °C	1.694		

TO APPLY THE FACTORS SHOWN IN THE TABLE TO OUR QUOTED OUTPUTS. MULTIPLY THE QUOTED OUTPUT BY THE CHOSEN OPERATING FACTOR TO GIVE THE OUTPUT

ADDITIONAL INFORMATION

Material	Steel
Steel tube diameter	25mm
Steel thickness	1.25mm
Maximum working pressure	10 bar/1000 kPa
Testing pressure	13 bar/1300 kPa
Maximum working temperature	95°C

The thermal outputs expressed at $\Delta T=50k$ comply with European regulation EN 442-2

trade radiators®

trade prices for you!

www.traderadiators.com

0141 225 0430