



Eton Traditional Angled Manual Radiator Valve



Available Finishes - Lacquered	
Antique Brass	Antique Copper
Brass	Black
Chrome	Nickel
Satin Nickel	Polished Copper
Brushed Copper	
These valves all have a highly polished finish except the brushed copper.	

Available Finishes - Unlacquered	
Old English Brass	Pewter
Un-lacquered Brass	Brushed Brass
These valves are un-lacquered and designed to look old. They are hand finished and appearance may vary from one valve to the next	
The Un-lacquered Brass are highly polished as new but will tarnish and age naturally over time.	

Connection Size	
Valve to Radiator	1/2" BSPT
Valve to Pipe	15 mm Compression

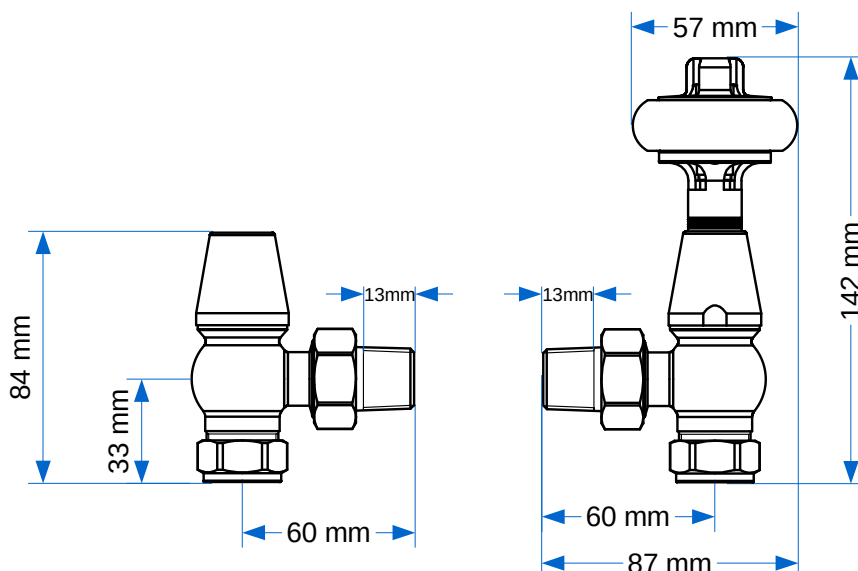
Allen Key size	
To adjust Lock-Shield	8 mm
To fit Coupler to Radiator	1/2"
Allen Keys are not included	

Pressure Ratings	
Max Test Pressure	12 Bar
Max Operating Pressure	10 Bar
Max Differential Pressure	1 Bar
Pressure Drop Value (Kvs)	1.6
Kvs value is the metric measure for the flow of a fully opened valve. It is defined as: The volume flow in cubic metres per hour of water at a temperature of between 5° and 40° Celsius with a pressure drop across the valve of 1 bar.	

Flow Ratings	
Normal Flow Rate	0.20m³/h
Max Flow Rate	0.30m³/h

Temperature Ratings	
Max Test Temperature	120°C
Max Operating Temperature	110°C
Temperature Adjustment Range	7 - 30 °C

Disclaimer	
All dimensions are approximate and for roughing in only.	
We reserve the right to alter dimensions without notice.	
We recommend no work be carried out until the goods arrive.	
We can take no responsibility for errors in information supplied.	



Identifying Parts (ETO-AG-SN shown)



Lock-Shield

Wheel Head

